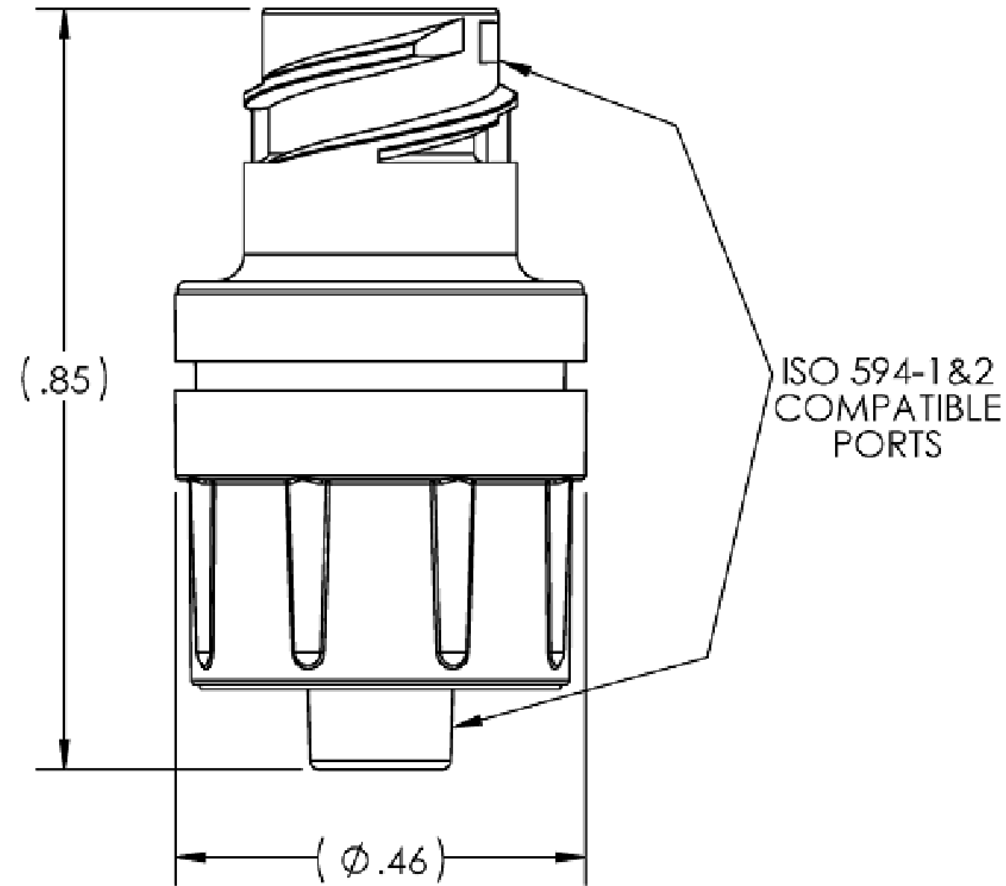
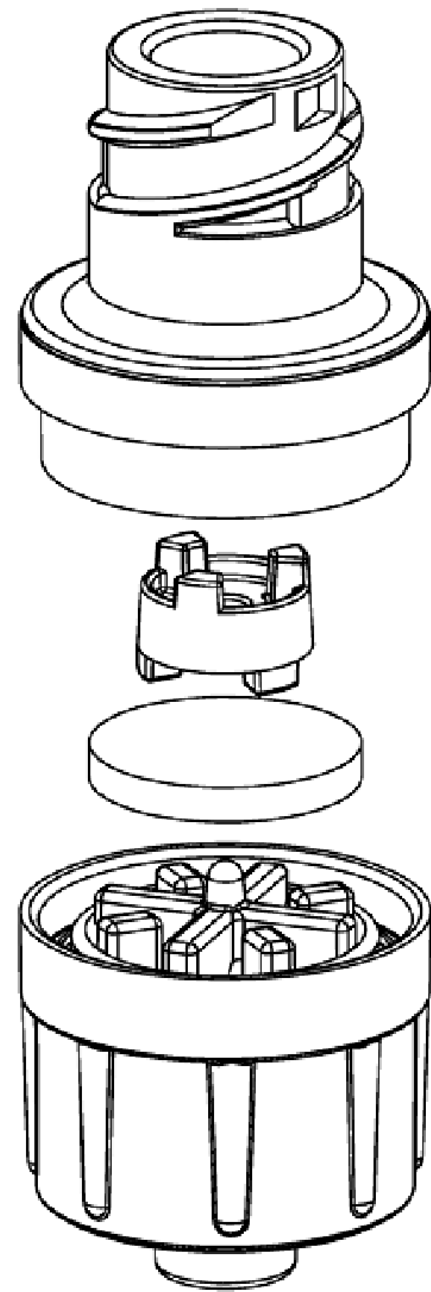


NOTES: FOR ADDITIONAL DETAILS, PLEASE CONTACT VP CUSTOMER SERVICE
 DIMENSIONS MARKED \square ARE CONTROL DIMENSIONS

REVISIONS			
REV.	DESCRIPTION	DATE	APPROVED
A	INITIAL RELEASE	04-05-16	FJL



UNLESS OTHERWISE SPECIFIED DIMENSIONS ARE IN INCHES TOLERANCES ARE:		VALUE PLASTICS, INC			
FRACTIONS DECIMAL ANGULAR \pm .XX \pm .01 \pm 1° \pm .XXX \pm .005 \pm .XXXX \pm .001		PART NUMBER: NVFMLL-001			
DO NOT SCALE DRAWING		DESCRIPTION: NEEDLEFREE VALVE FEMALE LUER TO MALE LUER LOCK			
DRAWN BY: marie.morleyjahn	DATE: 5/3/2016	SIZE: B	SCALE: NTS	VER: 	DWG. NO. 1039669
MANAGER: Frank.Lombardi		© 2014 VALUE PLASTICS, INC			REV A
				SHEET: 1 OF 1	

FOR REFERENCE ONLY